

## LR Systems

### Product Description/Equipment Specifications

**F**LEXIBILITY  
**L**ATITUDE  
**E**NGINEERING  
**E**XECUTION  
**E**XCELLENCE

*Process Water Systems designed with ultimate **FLEXIBILITY** in mind.*



Photos are for illustrative purposes only

#### Features at a glance:

- Quick delivery, installation, and startup
- Small equipment footprint (additional space required for exchange bottles)
- Two installation arrangements
- Continuous recirculation through all post-treatment components
- Bacteria destruct UV and .2 µm final filter
- Wall model provides up to 3gpm \*
- Skid model provides up to 4gpm \*
- Skid model includes on-board water quality monitor

\*Flow rates dependent upon size and length of loop

#### General Description:

FLEXX™ LR Systems are recirculating deionization systems complete with re-pressurization pump, pre-filter (Code F, 1.0 micron), final filter (Code F, 0.2 micron), and bacteria destruct ultraviolet light. The product line offering includes a small, wall mountable unit capable of supplying up to 3 gallons per minute to a small distribution loop (1/2" PE Tubing, max. 100 ft.) and a larger skid mounted system capable of supplying up to 4 gallons per minute to a larger distribution loop (1/2" PVC, max 500 ft)\*. Each system ships with an "on-board" Point-of-Use valve capable of feeding a Client's point-of-use or, through removal of a spool piece, may be configured to feed a Client supplied distribution loop. Either system can be installed in one of two arrangements as shown in the P&ID diagram below.

The LRW (wall mount model) is shipped with 10” cartridge filter bowls that can be easily retrofit in the field with 20” bowls where needed. This change does not require any alteration to the system’s electrical or mechanical components.

The LRS (skid mount model) is shipped with 20” cartridge filter bowls and, additionally, includes an “on-board” quality monitor.

\* NOTE: Flow rates are dependent upon piping size and length of distribution loop.

**Mechanical Description:**

LRW (wall mount model): a white polyethylene panel is used to provide support for all system components and allow sufficient access for maintenance and operation. Two mating “channels”, included with the panel, provide ease of installation and permit the unit to be installed by single individual.

LRS (skid mount model): a powder-coated, carbon steel, frame supports all system components and is designed to provide maximum support while permitting ample access for maintenance and operation.

NOTE: both units require additional floor space to accommodate the exchange bottles necessary for system operation.

**Electrical & Operational Description:**

Both systems are 115VAC and are equipped with a power cord designed to be plugged into a standard duplex receptacle; all integral electrical connections have been made at the factory. An on-board GFCI receptacle is provided for the power requirements of all system electrical components.

**Operating Parameters:**

Feedwater Pressure	40 psig – 90 psig (LRW and LRS models)
Feedwater Temperature	50°F - 90°F (LRW and LRS models)

**General Specifications:**

Piping	Pretreatment: Schedule 80 PVC Post Treatment: LRS Model—Schedule 80 PVC, LRW Model—Schedule 80 PVC and Polyethylene tubing
Process Valves	PVC Utility Ball Valves, Spears, or equal
Sample Valves	Polypro 1/4” MPT x 1/4” FPT, Specialty Manufacturing, or equal
Pump	Grundfos, or equal

**Instrument Specifications:**

Feed Pressure	USGauge, brass, 0-100 psi, or equal
Product Pressure	Wika, stainless steel, 0-100 psi, or equal
Quality (LRS System Only)	Myron L monitor, probe, and patch cord, or equal

**Electrical Requirements:**

Power	115 VAC (LRW and LRS models)
Breaker Required per Code	15 Amp (LRW and LRS models)

**Pipe Size Connection Specifications:**

System Model Number	LRW	LRS
Feedwater Inlet	1/2" Socket, Schedule 80 PVC	3/4" FNPT, Schedule 80 PVC
Product Water Supply/Return	1/2" Socket, Schedule 80 PVC	3/4" FNPT, Schedule 80 PVC

**Physical Dimensions:**

System Model Number	LRW	LRS
Length	34"	30"
Width	9"	24"
Height	48"	65"
UV Bulb Clearance	6" Right	6" Front

*LR System Part Number Selection*

Select	Select	Select
--------	--------	--------

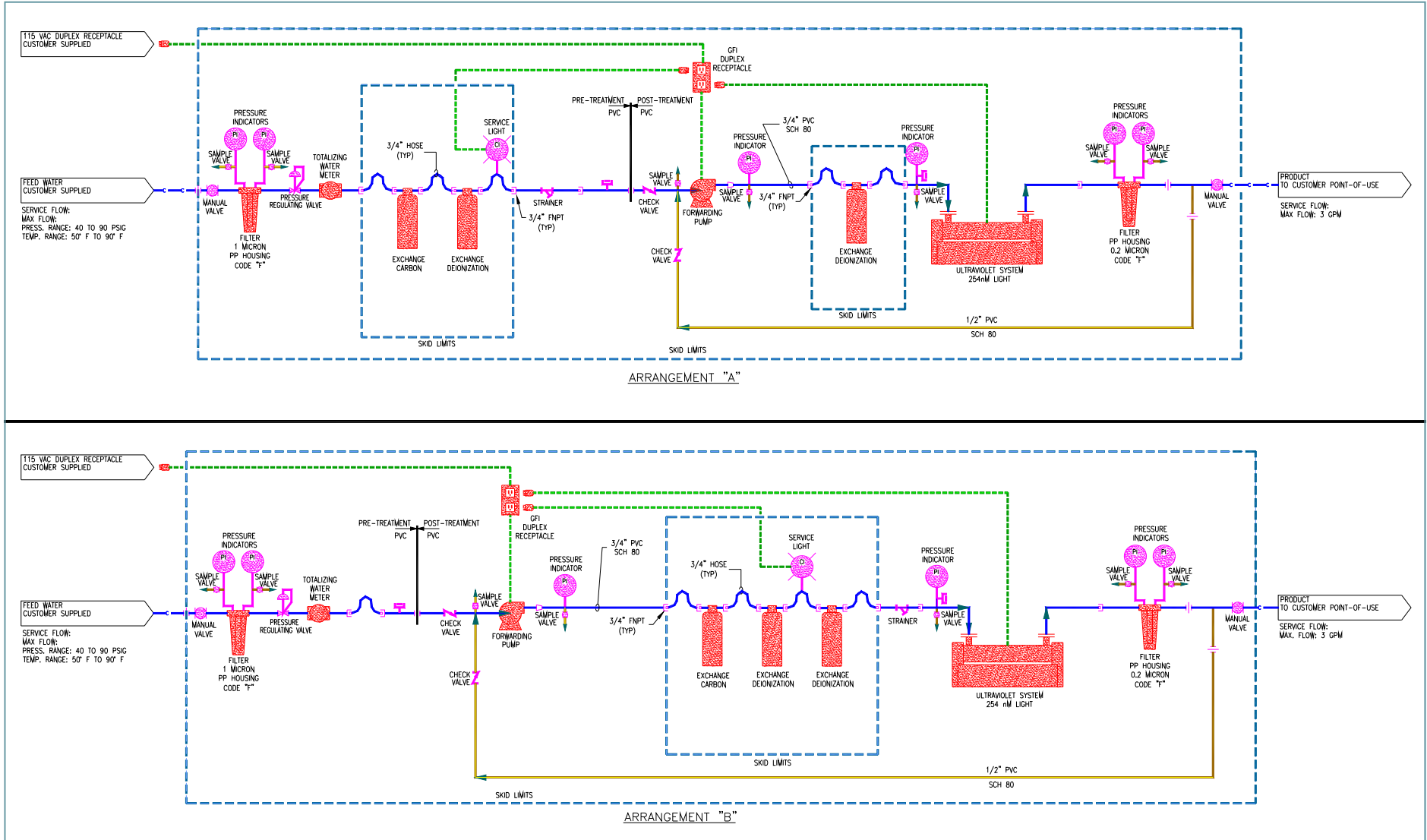
**EXAMPLE PART NUMBER**

<b>LRW</b>	<b>FSS</b>	<b>X</b>
------------	------------	----------

<b>FIELD 1</b>	<b>LR System</b>	
	<b>Code</b>	<b>Code Description</b>
	<b>LRW</b>	Wall Mount Recirculating Deionization System
	<b>LRS</b>	Skid Mount Recirculating Deionization System

<b>FIELD 2</b>	<b>Options:</b> Enter the codes for the desired options.	
	<b>Code</b>	<b>Code Description</b>
	<b>FSS</b>	Freestanding Stand (permits wall hung system to be mounted on a stand)
	<b>DSS</b>	Dry Safety System (provides protection against catastrophic leaks from exchange hose breakage)

## PROCESS & INSTRUMENTATION DIAGRAM-LRW SYSTEM



## PROCESS & INSTRUMENTATION DIAGRAM-LRS SYSTEM

