

H₂O_{SS} Selection Matrix Storage Tanks

Product Description/Equipment Specifications

FLEXIBILITY

LATITUDE

ENGINEERING

EXECUTION

EXCELLENCE

*Process Water Systems designed with ultimate **FLEXIBILITY** in mind.*

Features at a glance:

- Quick Delivery, Installation and Start-Up
- Capacities Ranging from 200 to 2,500 gallons
- Tanks all come with tank stands.
- Integrates with H2O Tank Accessory Kits.



Photo is for illustrative purposes only

General Description:

Storage Tanks are selected to fit the client's needs taking into consideration and determining a water usage profile. There are a wide variety of tank choices in the market place, the selection of a tank materials and design will vary greatly from one project to another.

Storage Tank Selection Matrix

Select	Select
Select	Select

EXAMPLE PART NUMBER

TV1000	HPW
---------------	------------

EXAMPLE ADDITIONAL SERVICES

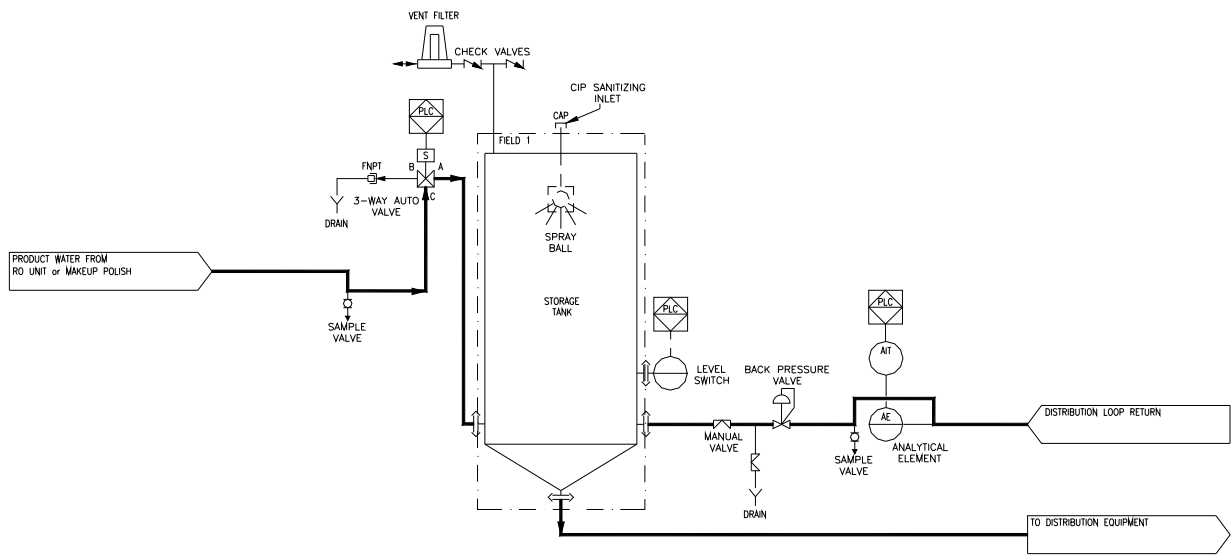
SZD	X
------------	----------

FIELD 1	Capacity, Gallons (Liters) Enter the code for the desired storage tank capacity. If the desired storage tank is not listed below, please contact the Process Systems & Components, Inc. Customer Service Department at (813) 888-6300 or email inquiries@psconline.net .	
	Code	Code Description
	TV100	Conical-Bottom, Polyethylene Tank with Steel Epoxy Coated Stand, 100 (378)
	TV200	Conical-Bottom, Polyethylene Tank with Steel Epoxy Coated Stand, 200 (757)
	TV350	Conical-Bottom, Polyethylene Tank with Steel Epoxy Coated Stand, 350 (1324)
	TV500	Conical-Bottom, Polyethylene Tank with Steel Epoxy Coated Stand, 500 (1892)
	TV750	Conical-Bottom, Polyethylene Tank with Steel Epoxy Coated Stand, 750 (2839)
	TV1000	Conical-Bottom, Polyethylene Tank with Steel Epoxy Coated Stand, 1000 (3785)
	TV2000	Conical-Bottom, Polyethylene Tank with Steel Epoxy Coated Stand, 2000 (7570)
	TH100	Dished Top and Bottom, 316 Stainless Steel, Hot Water Sanitizable, 100 (378)
	TH200	Dished Top and Bottom, 316 Stainless Steel, Hot Water Sanitizable, 200 (757)
	TH350	Dished Top and Bottom, 316 Stainless Steel, Hot Water Sanitizable, 350 (1324)
	TH500	Dished Top and Bottom, 316 Stainless Steel, Hot Water Sanitizable, 500 (1892)
	TH750	Dished Top and Bottom, 316 Stainless Steel, Hot Water Sanitizable, 750 (2839)
	TH1000	Dished Top and Bottom, 316 Stainless Steel, Hot Water Sanitizable, 1000 (3785)
TH2000	Dished Top and Bottom, 316 Stainless Steel, Hot Water Sanitizable, 2000 (7570)	

FIELD 2	Application: Enter the codes for the application to which the tank will be used. If the desired application is not listed below, please contact the Process Systems & Components, Inc. Customer Service Department at (813) 888-6300 or email inquiries@psconline.net .	
	Code	Code Description
	FDA	Purified Water (FDA approved)
	HPW	High Purity Water (non FDA)
	NSF	Potable Water (NSF approved)

FIELD 3	Additional Services: Enter the codes for the desired additional services.	
	Code	Code Description
	SZC	Seismic Zone Wet Stamp
	SZD	Seismic Zone Drawings Only (Calculations by Others)

PROCESS & INSTRUMENTATION DIAGRAM



NOTE: All accessories, including the sprayball are not included with the Storage Tank. For accessory selection see H₂O SS Storage Tank Accessory Kit Selection Matrix.