

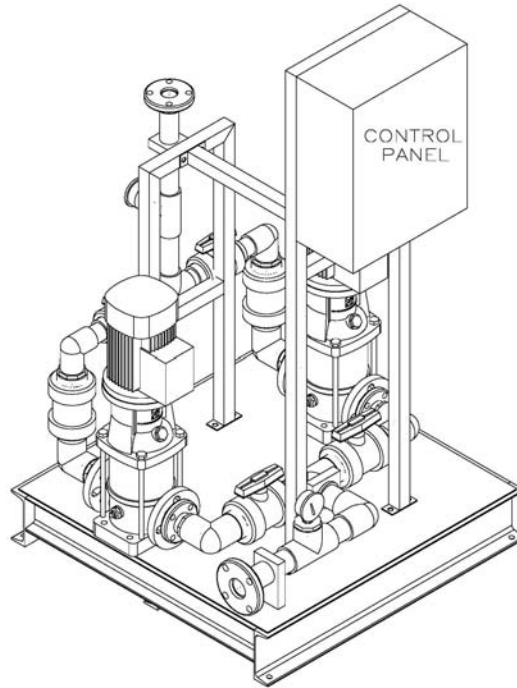
# H<sub>2</sub>O<sub>SS</sub> Selection Matrix

## Booster Pump Packs

### Product Description/Equipment Specifications

**F**LEXIBILITY  
**L**ATITUDE  
**E**NGINEERING  
**E**XECUTION  
**E**XCELLENCE

*Process Water Systems designed with ultimate **FLEXIBILITY** in mind.*



Drawing is for illustration purposes only

#### General Description:

FLEXX™ offers a complete line of Booster Pump Packs sized from 4 to 145 gallons per minute. The Booster Pump Pack designation refers to a factory assembled feedwater booster pump system that boosts water flow and pressure to downstream equipment. The units come complete with an integrated disconnect control panel that allows safe operation of the system.

#### Features:

- Fast delivery with pre-manufactured systems. Quick installation and start-up.
- Small footprint/skid-mounted system to reduce usage of valuable floor space.
- VFD controlled pump(s) allow for flexible and worry free operation.
- UL and Seismic Zone 4 compliance to satisfy regional permitting regulations.

#### Mechanical Description:

Powder-coated steel frames support the systems' major components. These frames are configured to provide maximum support for the Booster Pump Pack components while allowing access for maintenance and operation. The Booster Pump Packs are supplied as single skids.

The product plumbing is offered in a wide variety of piping materials and flow rates.

#### Electrical & Operational Description:

The control panel for the Booster Pump Pack provides power to the VFD driven booster pumps and features electrical components such as: motor starter(s), control transformer and H/O/A switches. The enclosure is gray, NEMA 4/12 steel construction.

The client provides a source of power to the panel.

## Booster Pump Packs Component Selection Matrix

Select    Select    Select

**EXAMPLE PART NUMBER**

**BPP2    008    PVC**

<b>FIELD 1</b>	<b>Booster Pump Pack</b>	
	<b>Code</b>	<b>Code Description</b>
	<b>BPP1</b>	Simplex Booster Pump Pack The Simplex Booster Pump Pack includes a 460V/3PH/60HZ control panel that provides Hand/Off/Auto operation of a single booster pump. The booster pump is controlled by integral Variable Speed Drive (VFD).
	<b>BPP2</b>	Duplex Booster Pump Pack The Duplex Booster Pump Pack includes a 460V/3PH/60HZ control panel that provides Hand/Off/Auto operation of two (2) booster pumps. The booster pumps are controlled by integral Variable Speed Drives (VFD).

<b>FIELD 2</b>	<b>Flow Rate and Pressure:</b> Enter the code for the desired treated water flow.	
	<b>Code</b>	<b>Code Description</b>
		<b>Loop Supply Flow Rate GPM (LPM) @ 115' TDH (50 PSI)</b>
	<b>003</b>	4 (15) @ 115' TDH (50 PSI)
	<b>008</b>	12 (45) @ 115' TDH (50 PSI)
	<b>016</b>	24 (91) @ 115' TDH (50 PSI)
	<b>030</b>	45 (170) @ 115' TDH (50 PSI)
	<b>050</b>	70 (265) @ 115' TDH (50 PSI)
	<b>075</b>	110 (416) @ 115' TDH (50 PSI)
	<b>100</b>	145 (548) @ 115' TDH (50 PSI)

<b>FIELD 3</b>	<b>Pipe Material:</b> Enter the code for the desired piping material.	
	<b>Code</b>	<b>Code Description</b>
	<b>PVC</b>	Schedule 80 PVC
	<b>CPV</b>	Schedule 80 CPVC
	<b>BPS</b>	Beta Polypropylene, Socket Fusion
	<b>BPB</b>	Beta Polypropylene, Butt Fusion
	<b>NPS</b>	Natural Polypropylene, Socket Fusion
	<b>NPB</b>	Natural Polypropylene, Butt Fusion
	<b>PFS</b>	PVDF, Socket Fusion
	<b>PFB</b>	PVDF, Butt Fusion
	<b>BCF</b>	PVDF, Bead and Crevice Free
	<b>SSS</b>	Sanitary Stainless Steel, 316SS

## PROCESS & INSTRUMENTATION DIAGRAM Duplex Configuration Shown

