

H₂O_{SS} Selection Matrix Filtration Packs

FLEXIBILITY

LATITUDE

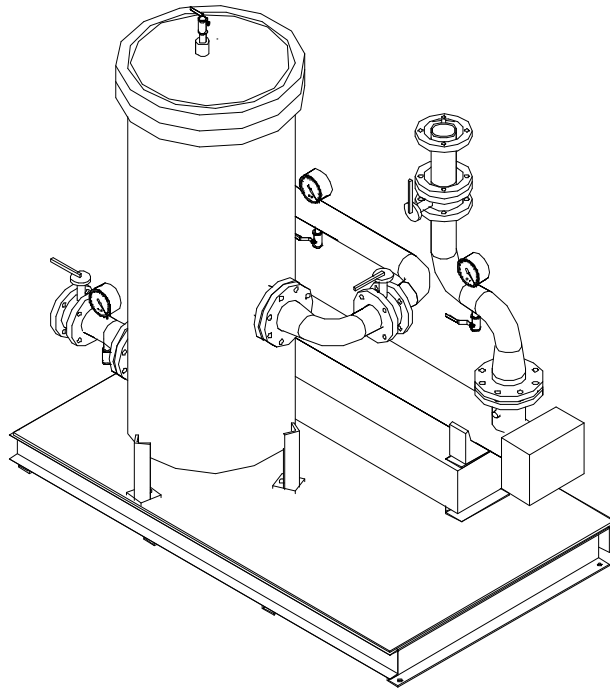
ENGINEERING

EXECUTION

EXCELLENCE

Product Description/Equipment Specifications

*Process Water Systems designed with ultimate **FLEXIBILITY** in mind.*



Drawing is for illustration purposes only

General Description:

FLEXX™ offers a complete line of Filtration Packs sized from 4 to 145 gallons per minute. The Filtration Pack designation refers to a factory assembled filtration system that is intended to filter water prior to being delivered to the Client's Point-of-Use.

Features:

- Fast delivery with pre-manufactured systems. Quick installation and start-up.
- Small footprint/skid-mounted system to reduce usage of valuable floor space.
- Seismic Zone 4 compliance to satisfy regional permitting regulations.

Mechanical Description:

Powder-coated steel frames support the systems' major components. These frames are configured to provide maximum support for the Filtration Pack components while allowing access for maintenance and operation. The Filtration Packs are supplied skidded. If more than one option is selected, they will be mounted on single skid.

The product plumbing is offered in a wide variety of piping materials and flow rates.

Filtration Packs Component Selection Matrix

Select Select Select Select

Select Select Select Select Select Select

EXAMPLE PART NUMBER

FF 030 BPB QLT

EXAMPLE ADDITIONAL SERVICES

SZD X X X X X

FIELD 1	Filtration Pack	
	Enter the code for the appropriate Filtration Pack. Included in the Filtration Packs are inlet and outlet pressure gauges, sample valves and isolation valves. <i>Filter cartridges are to be supplied by the FLEXX™ Partner, they are not included in a Filtration Pack.</i>	
	Code	Code Description
	RF	Resin Filter
	FF	Final Filter
	UF	Ultra Filter

FIELD 2	Flow Rate and Pipe Size:	
	Enter the code for the desired treated water flow.	
	Code	Code Description
	003	5 GPM (19 LPM), 3/4" (25mm) Pipe
	008	10 GPM (38 LPM), 1" (32mm) Pipe
	016	20 GPM (76 LPM), 1¼" (40mm) Pipe
	030	30 GPM (132 LPM), 1½" (50mm) Pipe
	050	50 GPM (189 LPM), 2" (63mm) Pipe
	075	75 GPM (284 LPM), 2½" (75mm) Pipe
	100	100 GPM (378 LPM), 3" (90mm) Pipe

FIELD 3	Pipe Material:	
	Enter the code for the desired piping material.	
	Code	Code Description
	PVC	Schedule 80 PVC
	CPV	Schedule 80 CPVC
	BPS	Beta Polypropylene, Socket Fusion
	BPB	Beta Polypropylene, Butt Fusion
	NPS	Natural Polypropylene, Socket Fusion
	NPB	Natural Polypropylene, Butt Fusion
	PFS	PVDF, Socket Fusion
	PFB	PVDF, Butt Fusion
	BCF	PVDF, Bead and Crevice Free
	SSS	Sanitary Stainless Steel, 316SS

FIELD 4	Instrumentation	
	Enter the codes for the desired Filtration Pack instrumentation. If instrumentation is not required, place an X in Field 4.	
	Code	Code Description
	QLT	Mettler-Toledo Thornton M300 Series Resistivity/Conductivity Sensor and Patch Cord
	TOC	Mettler-Toledo Thornton TOC5000 Series Sensor with Monitor

FIELD 5	Additional Services:	
	Enter the codes for the desired additional services.	
	Code	Code Description
	FSP	Factory System Passivation
	WHD	Welding Documentation
	SZC	Seismic Zone Wet Stamp
	SZD	Seismic Zone Drawings Only (Calculations by Others)
	BSI	Boroscope Inspection
	FSP	Factory System Passivation

PROCESS & INSTRUMENTATION DIAGRAM

